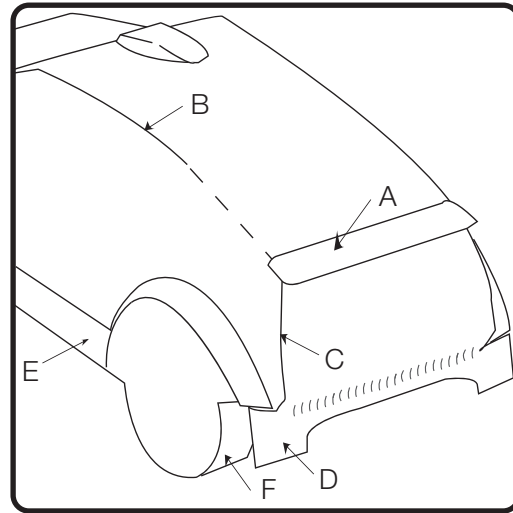


How to make PAJERO EVOLUTION

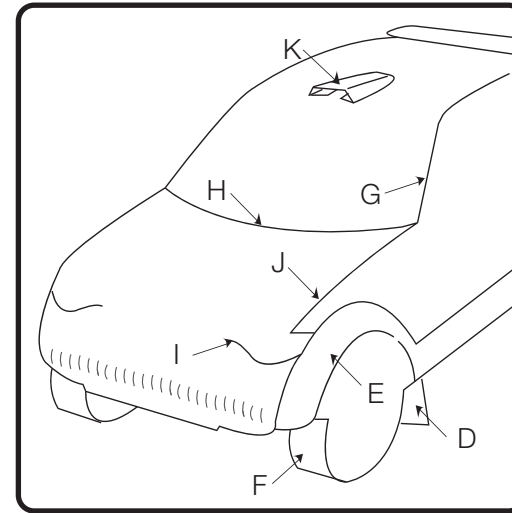
Use a sharp pair of scissors to cut the parts along the outline.

The * marks within the thick border are glue flaps.

Do not fold all glue flaps. Read the instructions carefully as you build.



- A. Fold the wing in half and glue both sides together. Insert the glue flap into the cut and glue on.
- B. Mountain fold the flap of the roof line and glue on.
- C. Mountain fold the flap and glue on.
- D. Fold the fender in half and glue the front and the back together.
- E. Build the over fender and glue on with caution to the surrounding parts.
- F. Roundly attach the tire tread with caution to the surrounding parts.



- G. Create a cut, and mountain fold the glue flap as you attach it.
- H. Align this line and glue together.
- I. Cut to this point and mountain fold the glue flap as you roundly attach it.
- J. Mountain fold the flap and glue on.
- K. Glue on so it roundly connects to the side.