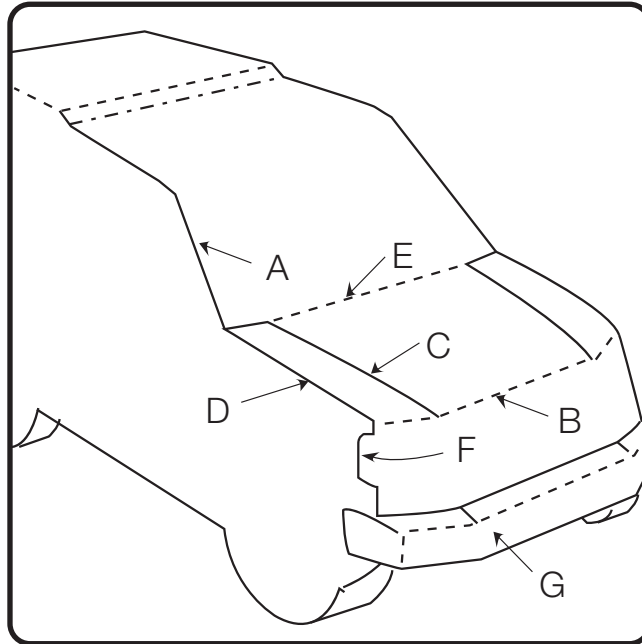


## How to make PAJERO(1982)

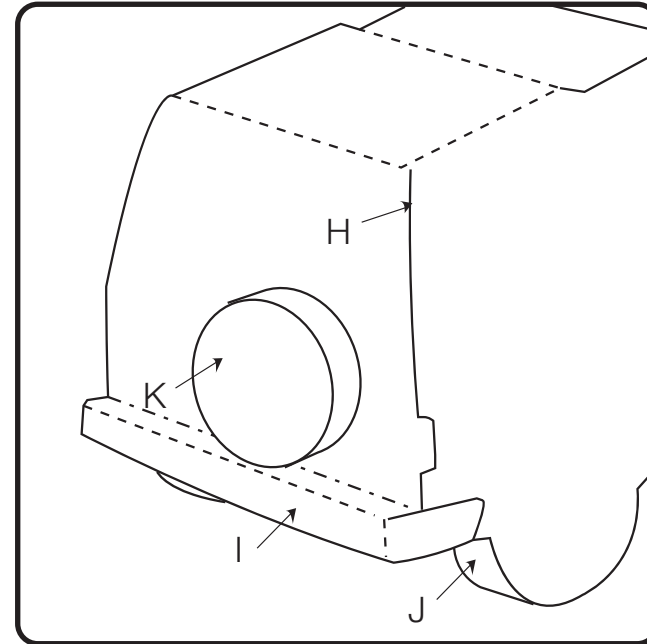
Use a sharp pair of scissors to cut the parts along the outline.

The \* marks within the thick border are glue flaps.

Do not fold all glue flaps. Read the instructions carefully as you build.



- A. Cut to the roof line, create a split-leveled step in the roof, and mountain fold the flap and glue on.
- B. Mountain fold.
- C. Cut through the thick line and glue onto the flap so the lines overlap.
- D. Mountain fold the flap and glue on.
- E. Valley fold the part beneath the window.
- F. Make it round as you glue on so the line of the light is aligned.
- G. Create a split-leveled step and bend both ends at an angle to attach it below the light.



- H. Mountain fold the flap and glue on.
- I. Create a split-leveled step and mountain fold both ends to glue on.
- J. Make the tire tread round and glue on.
- K. The spare tire is optional. Assemble as shown and glue on.