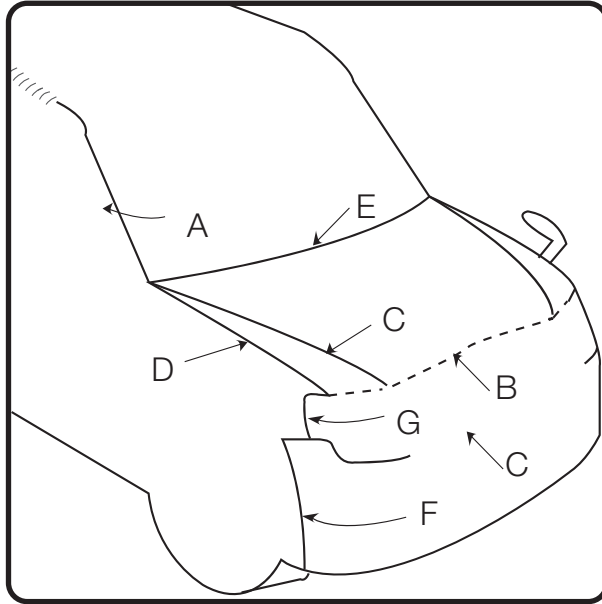


How to make PAJERO (06)

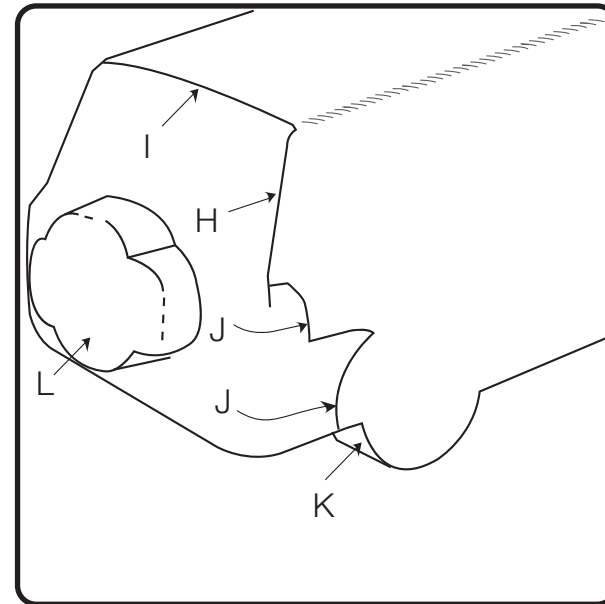
Use a sharp pair of scissors to cut the parts along the outline.

The * marks within the thick border are glue flaps.

Do not fold all glue flaps. Read the instructions carefully as you build.



- A. Cut to the roof line, make the glue flap round without folding it, and glue on.
- B. Mountain fold.
- C. Cut through the thick line and glue onto the flap so the lines overlap.
- D. Mountain fold the flap and glue on.
- E. Valley fold the flap and glue on.
- F. Make it round and glue on so that this line is aligned.
- G. Make it round as you glue on so the line of the light is aligned.



- H. Mountain fold the flap and glue on.
- I. Mountain fold the flap and glue on.
- J. Make it round and glue on so that this line is aligned.
- K. Make the tire tread round and glue on.
- L. The spare tire is optional. Assemble as shown and glue on.