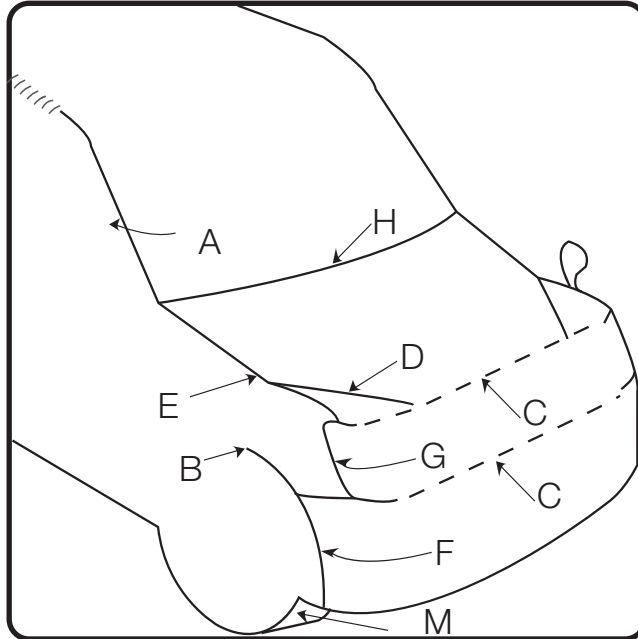


How to make PAJERO(05)

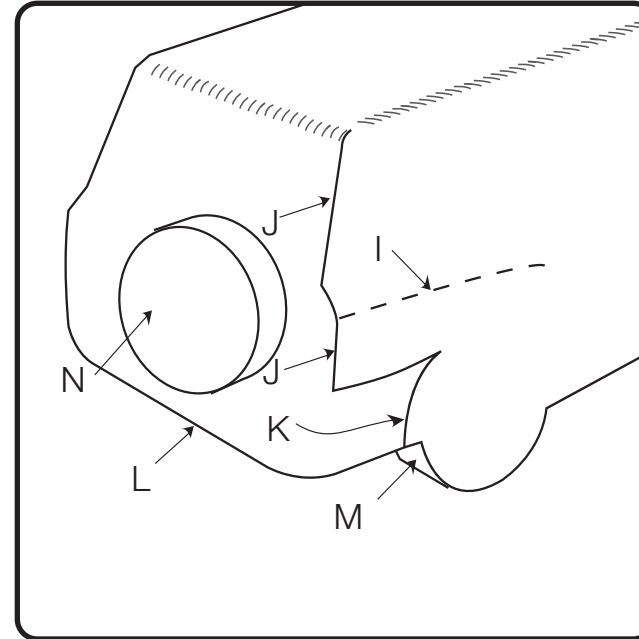
Use a sharp pair of scissors to cut the parts along the outline.

The * marks within the thick border are glue flaps.

Do not fold all glue flaps. Read the instructions carefully as you build.



- A. Cut to the roof line, make the glue flap round without folding it, and glue on.
- B. Cut to this point, and roundly attach the fender.
- C. Mountain fold.
- D. Valley fold the flap lightly and glue on.
- E. Mountain fold the glue flap, and glue onto the fender so it creates a bulge.
- F. Attach the bumper roundly so this line is aligned.
- G. Make the light round and glue on.
- H. Valley fold the window flap and glue on.



- I. Mountain fold the character line.
- J. Mountain fold the flap and glue on.
- K. Attach the bumper roundly so this line is aligned.
- L. Mountain fold the part under the bumper.
- M. Make the tire tread round and glue on.
- N. The spare tire is optional. Assemble as shown and glue on.