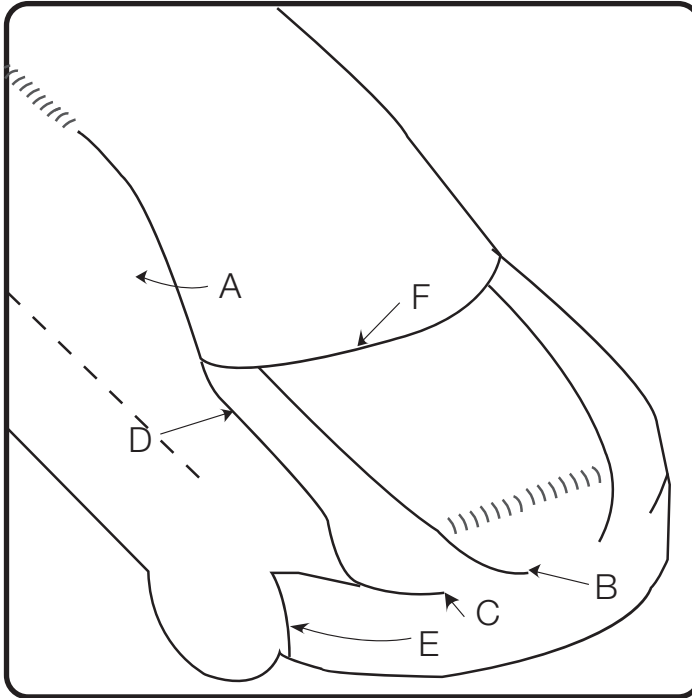


## How to make LANCER WAGON

Use a sharp pair of scissors to cut the parts along the outline.

The \* marks within the thick border are glue flaps.

Do not fold all glue flaps. Read the instructions carefully as you build.



A. Cut to the roof line, make the glue flap round without folding it, and glue on.

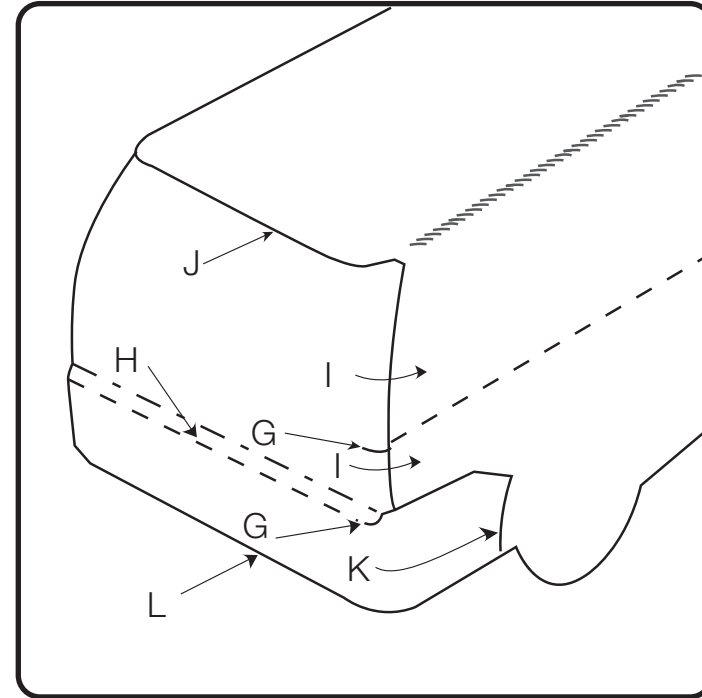
B. Cut to this point and roundly attach the hood and the glue flap.

C. Cut to this point and glue on the light for a round shape.

D. Mountain fold the flap and glue on.

E. Attach the bumper roundly so this line is aligned.

F. Valley fold the window flap and glue on.



G. Make a cut.

H. Create a split-leveled step by mountain folding and valley folding the lines along the bumper.

I. Glue on so the light roundly connects.

J. Mountain fold the glue flap and glue on to the rear part of the spoiler.

K. Attach the bumper roundly so this line is aligned.

L. Mountain fold the part under the bumper.