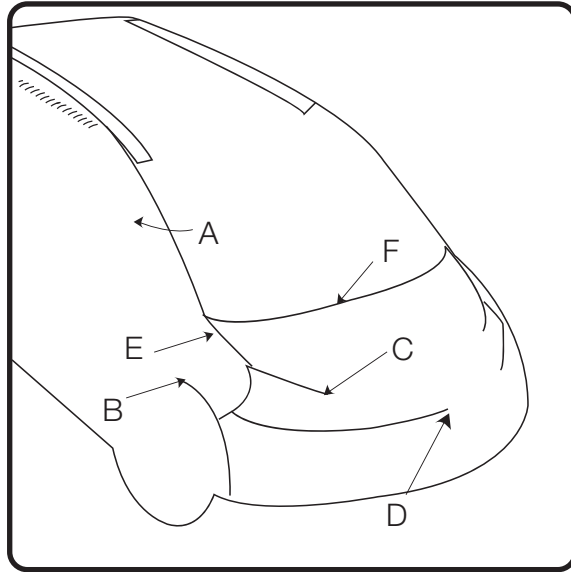


How to make GRANDIS

Use a sharp pair of scissors to cut the parts along the outline.

The * marks within the thick border are glue flaps.

Do not fold all glue flaps. Read the instructions carefully as you build.



A. Cut to the roof line, make the glue flap round without folding it, and glue on.

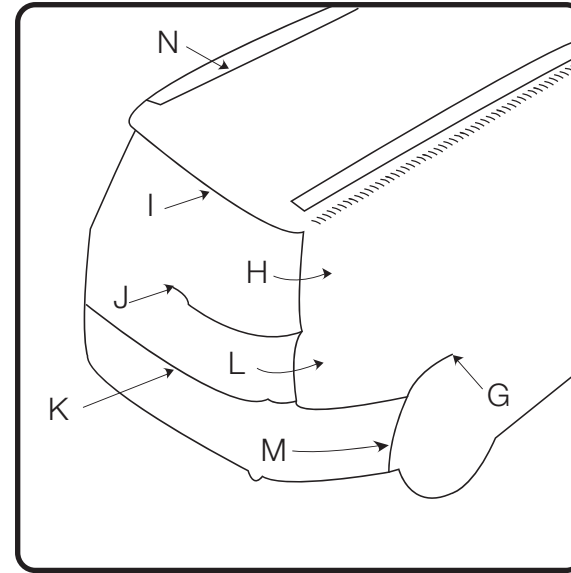
B. Cut to this point, and roundly attach the fender.

C. Create a cut and roundly attach the light and the hood.

D. Cut to this point and roundly attach the bumper.

E. Glue on so the fender and the light connect.

F. Valley fold the window flap and glue on.



G. Cut to this point and attach the side so it's shaped round.

H. Glue on so the light roundly connects.

I. The top edge of the window will fit into the rear part of the roof.

J. Make a cut and glue on.

K. Attach the bumper so the lines overlap.

L. Glue on so the light roundly connects.

M. Align this line and glue together.

N. Stack three roof rails on top and color the black sections of the front and the back in black and then attach them to the both sides of the roof.