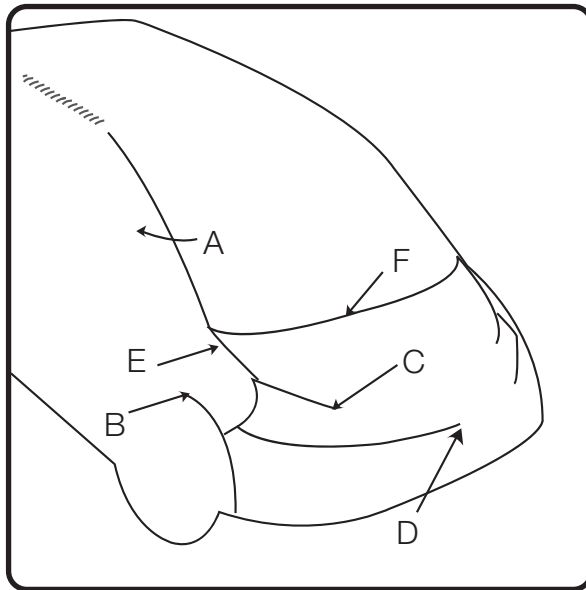


How to make FCV

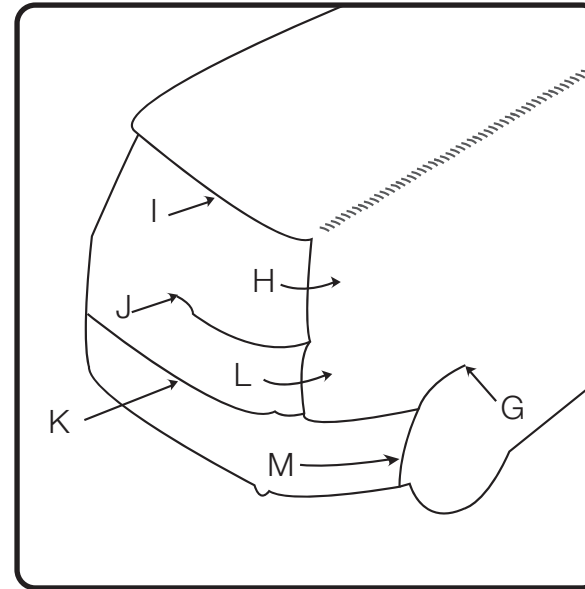
Use a sharp pair of scissors to cut the parts along the outline.

The * marks within the thick border are glue flaps.

Do not fold all glue flaps. Read the instructions carefully as you build.



- A. Cut to the roof line, make the glue flap round without folding it, and glue on.
- B. Cut to this point, and roundly attach the fender.
- C. Create a cut and roundly attach the light and hood.
- D. Cut to this point and roundly attach the bumper.
- E. Glue on so the fender and the light connect.
- F. Valley fold the window flap and glue on.



- G. Cut to this point and attach the side so it's shaped round.
- H. Glue on so the light roundly connects.
- I. The top edge of the window will fit into the rear part of the roof.
- J. Make a cut and glue on.
- K. Attach the bumper so the lines overlap.
- L. Glue on so the light roundly connects.
- M. Align this line and glue together.